

Handling System for Rack Type Manual Pass-through Sorting Table, 3 Baskets - Left to Right, 1620mm, Front Connection

ITEM # _____

MODEL # _____

NAME # _____

SIS # _____

AIA # _____



865293 (HSMSF6LR)

Manual pass-through sorting
table for 3 baskets, front
connection, Left > Right, 1576
mm

Main Features

- Designed to transport 500x500 mm dishwashing baskets.
- "Key holes" and "snap on" system reduces the number of screws needed for fast and easy installation.
- Long rollers and strainer box easy to remove.
- Manual racks handling toward the dishwasher made easier thanks to the long rollers.
- Manual sorting table with side loading can be connected either to a rack type dishwasher or after the roller conveyor, a 90° dishwasher driven curve and a side loader on the loading side.

Construction

- Stainless steel feet 50 mm adjustable in height to align the operation height between the dishwasher and table.
- Optionally equipped with tray slides, a single adjustable over-shelf for empty baskets, a double adjustable over-shelf for sorting of baskets and empty baskets, spray guns, cutlery soaking basin and basin wash nozzles.
- Thick welded flanges for sturdy connection between the units.
- Manual receiving and sorting operations.
- Sloping bottom of the table grants a smooth and rapid drainage.
- Stainless steel strainer baskets easy to remove.
- Connection from front.
- Constructed in AISI 304 stainless steel with square 40x40mm legs.
- All surfaces smooth with polished finish.

Optional Accessories

- Pre-rinse unit (thermostatic mixer and shower) to be mounted on overshelf PNC 863136
- Emergency stop kit for Rack Type Dishwasher PNC 865162
- Basket support for vertical stacking of baskets (to be used with overshelf) PNC 865208
- Pre-rinse unit (mixer and shower) PNC 865209
- Double overshelf for pass-through 3-basket sorting table, 1576 mm PNC 865428
- Overshelf for pass-through 3-basket sorting table, 1576 mm PNC 865432
- Tray slide for pass-through 3-basket sorting table, 1576 mm PNC 865436
- Tray slide fixing brackets (3pcs) PNC 865437
- Grid undershelf for 3-basket sorting table PNC 865438
- Pre-wash spray unit, 1500 mm PNC 865443
- Tray slide for sorting table, 500 mm PNC 865444
- Tray slide with waste hole and rubber ring, 500 mm PNC 865445
- Dish scraper PNC 865447
- Automatic basin wash with timer for 3-basket sorting table PNC 865448
- Water heating kit for wash basin PNC 865449
- Foldable tray slide for pass-through 3-basket sorting table, 1576 mm PNC 865457

APPROVAL: _____

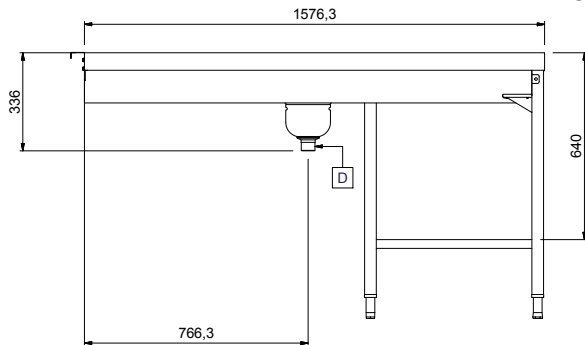


Handling System for Rack Type Manual Pass-through Sorting Table, 3 Baskets - Left to Right, 1620mm, Front Connection

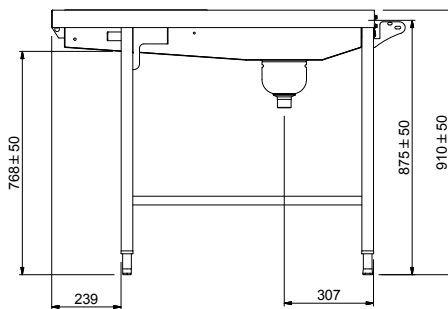
- Retractable pre-rinse unit with fixed thermostatic water mixer, hose length, 14mm PNC 865460
- Brackets to support baskets under the sorting table PNC 865478



Front

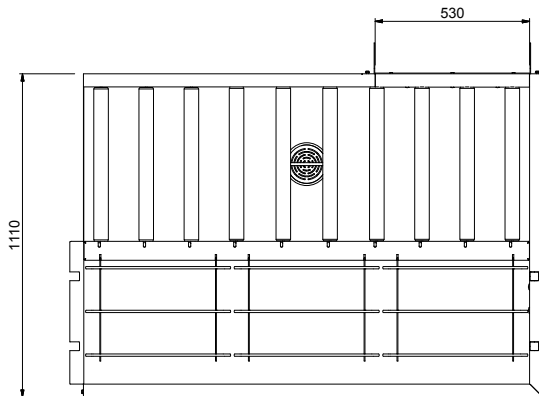


Side



D = Drain

Top



Key Information:

External dimensions, Width:	
865293 (HSMSF6LR)	1576 mm
External dimensions, Depth:	1110 mm
External dimensions, Height:	910 mm
Net weight:	42 kg
Height adjustment:	50/50 mm
Basket movement:	Left to right
Basin material:	Stainless Steel AISI 304 - EN 1.4301
Type of rollers:	Long